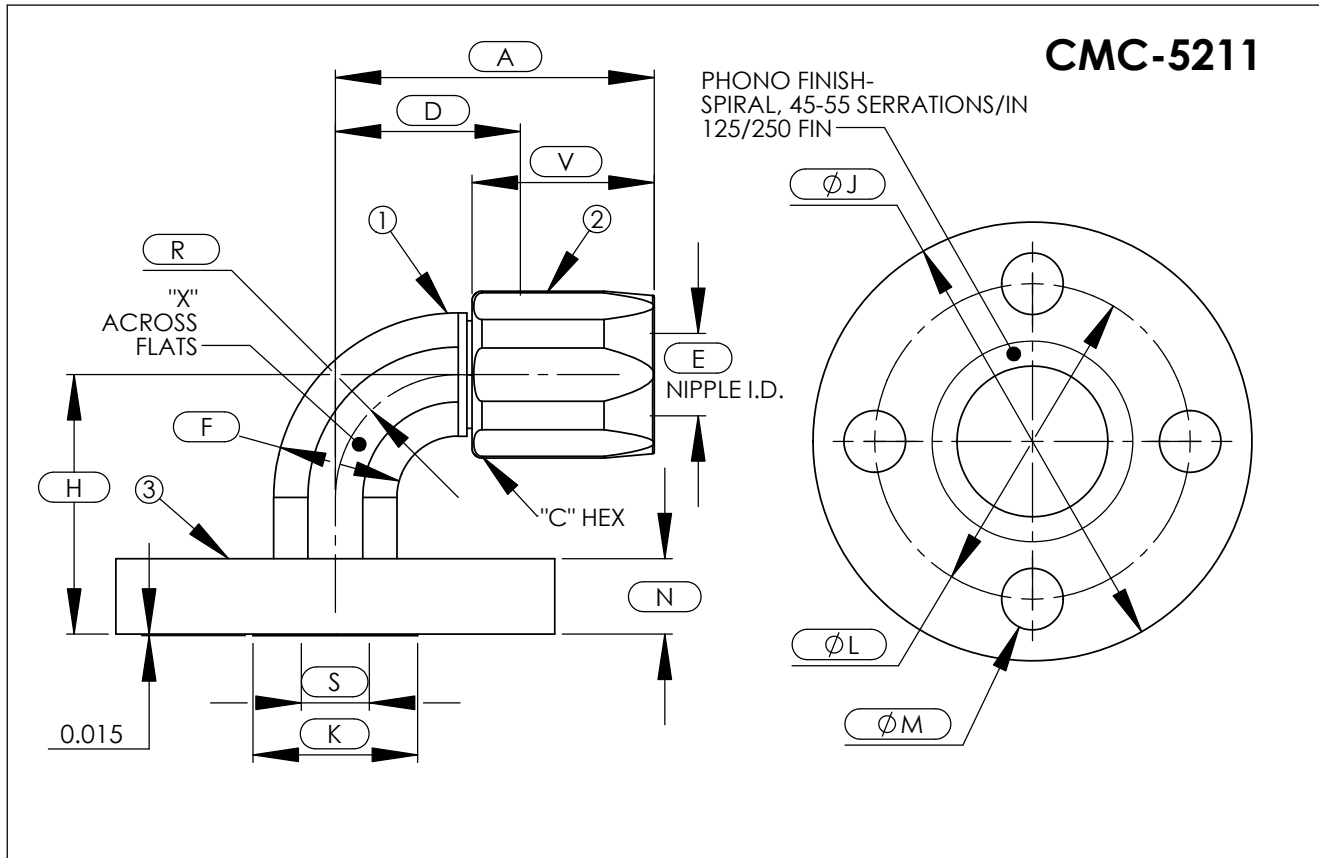


QPL-24787-12 CMC™ Hose End Fittings

90° Elbow

MIL-F-20042 400 Lb Flange
Per MIL-H-24136/3 Style BI, MIL-F-24787/1, Group VIII, Type FL



| ASSY PART NUMBER | NPS SIZE | NO. OF BOLTS | A | C | D | E | F | H | J | K | L | M | N | R | S | V | X |
|-----------------------|----------|--------------|------|------|------|------|------|------|------|------|------|-----|-----|------|------|------|------|
| CMC-XXX-5211-1/2-16 | 1/2 | 4 | 2.80 | 1.44 | 1.53 | 0.75 | 1.25 | 2.38 | 4.00 | 1.50 | 2.88 | .56 | .69 | 1.12 | 0.62 | 1.66 | 1.19 |
| CMC-XXX-5211-3/4-16 | 3/4 | 4 | 2.80 | 1.44 | 1.53 | 0.75 | 1.25 | 2.38 | 4.31 | 1.50 | 3.19 | .56 | .69 | 1.12 | 0.82 | 1.66 | 1.19 |
| CMC-XXX-5211-1-16 | 1 | 5 | 2.80 | 1.44 | 1.53 | 0.75 | 1.25 | 2.38 | 5.06 | 1.50 | 3.75 | .69 | .75 | 1.12 | 1.05 | 1.16 | 1.19 |
| CMC-XXX-5211-3/4-20 | 3/4 | 4 | 2.98 | 1.75 | 1.62 | 1.00 | 1.62 | 2.56 | 4.31 | 1.84 | 3.19 | .56 | .69 | 1.22 | 0.82 | 1.75 | 1.44 |
| CMC-XXX-5211-1-24 | 1 | 5 | 3.24 | 1.94 | 1.78 | 1.16 | 1.81 | 2.75 | 5.06 | 2.12 | 3.75 | .69 | .75 | 1.38 | 1.05 | 1.84 | 1.69 |
| CMC-XXX-5211-1 1/4-32 | 1 1/4 | 5 | 3.89 | 2.50 | 2.05 | 1.69 | 2.44 | 3.06 | 5.38 | 2.74 | 4.06 | .69 | .81 | 1.62 | 1.38 | 2.25 | 2.25 |
| CMC-XXX-5211-1 1/2-32 | 1 1/2 | 6 | 3.89 | 2.50 | 2.05 | 1.69 | 2.44 | 3.06 | 5.94 | 2.74 | 4.63 | .69 | .81 | 1.62 | 1.61 | 2.25 | 2.25 |
| CMC-XXX-5211-2-32 | 2 | 7 | 3.89 | 2.50 | 2.05 | 1.69 | 2.44 | 3.06 | 6.50 | 2.74 | 5.19 | .69 | .81 | 1.62 | 1.77 | 2.25 | 2.25 |

B.O.M.

COMPONENT PART NUMBERS

- ① ALL SIZES..... NI-5200-(NPS SIZE)-(HOSE SIZE)-(MATL CODE)
- ② ALL SIZES..... SO-5001-(SIZE)-(MATL CODE)
- ③ ALL SIZES..... FL-(NPS SIZE)-(HOSE SIZE)-(TYPE)-(MATL CODE)

-EXAMPLE-
CMC-XXX-5211-1/2-16

SEE PAGE 2 FOR ASSY MATERIAL DESIGNATIONS.



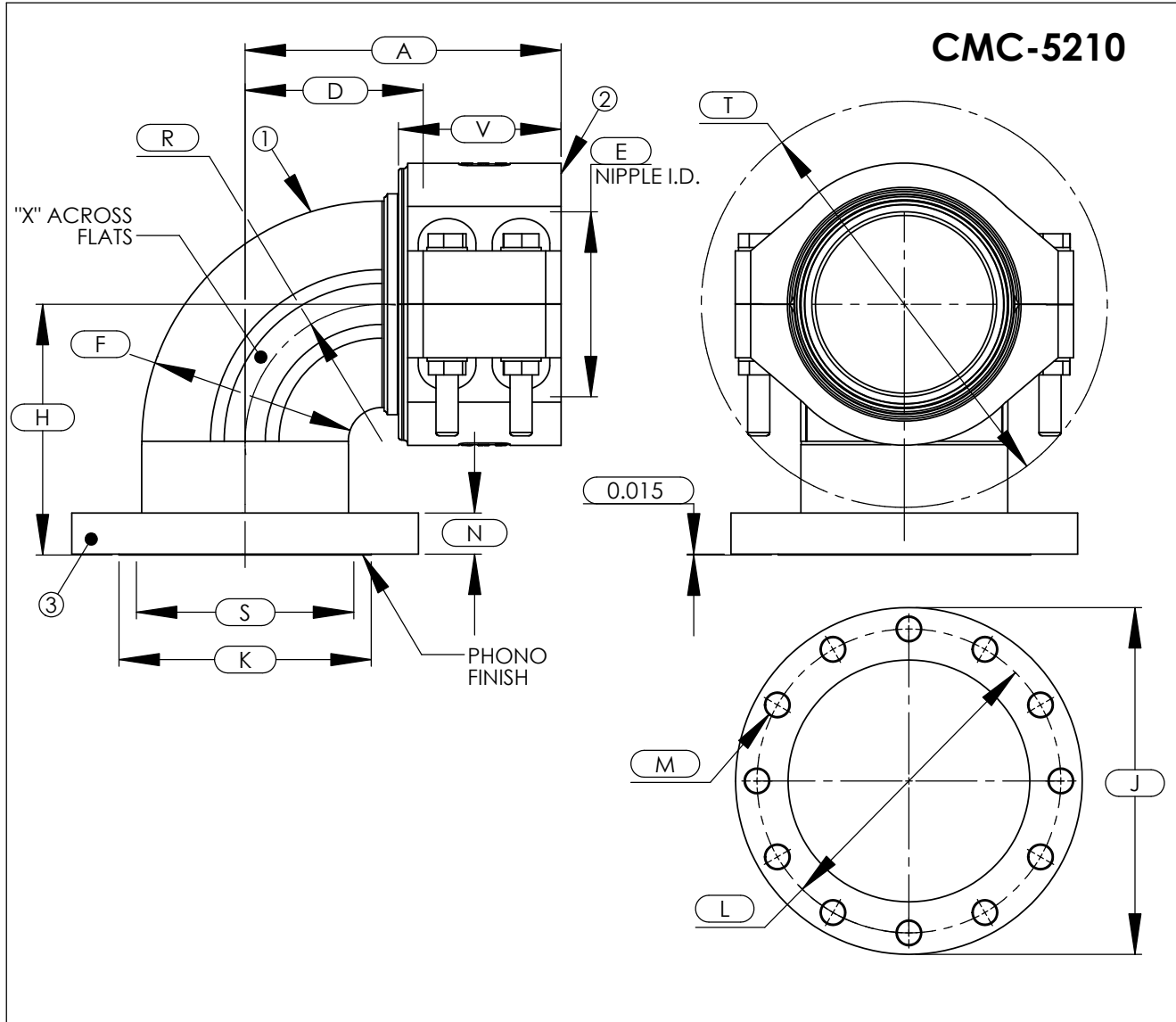
HYDRAULIC & MACHINE INC. (253) 854-4666 PG 32

www.customhydraulic.com

CMC™ Hose End Fittings QPL-24787-12

90 Elbow, Class I Flange

MIL-F-24787/1, Group IX, Type FL, (Sz 80-96)
 MIL-F-24787/1, Group X, Type FL, (Sz 48-64)



| ASSY PART NUMBER | IPS SIZE | BOLT HOLE QTY | A | D | E | F MAX | H | J | K | L | M | N | R | S | T | V | X |
|--------------------|----------|---------------|------|------|------|-------|------|-------|------|-------|------|------|------|------|-------|------|------|
| CMC-XXX-5210-48-48 | 3 | 8 | 5.81 | 3.05 | 2.51 | 3.38 | 4.60 | 8.13 | 4.55 | 6.56 | 0.81 | 0.94 | 2.10 | 3.31 | 7.65 | 3.71 | 3.48 |
| CMC-XXX-5210-64-64 | 4 | 9 | 6.48 | 3.94 | 3.50 | 4.20 | 5.62 | 9.25 | 5.27 | 7.69 | 0.81 | 1.00 | 2.81 | 4.28 | 8.91 | 3.86 | 4.20 |
| CMC-XXX-5210-80-80 | 5 | 11 | 8.70 | 4.59 | 4.40 | 5.15 | 6.82 | 10.38 | 6.35 | 8.81 | 0.81 | 1.06 | 3.50 | 5.32 | 11.42 | 4.81 | 5.15 |
| CMC-XXX-5210-96-96 | 6 | 12 | 9.23 | 5.20 | 5.40 | 6.03 | 7.33 | 11.94 | 7.37 | 10.19 | 0.94 | 1.19 | 4.00 | 6.35 | 11.87 | 4.81 | 6.03 |

B.O.M.

COMPONENT PART NUMBERS

- ① ALL SIZES-.....NI-5200-(SIZE)-(MATL CODE)
- ② ALL SIZES-.....HC-(SIZE)-(MATL CODE)
- ③ ALL SIZES-.....FL-(HOSE SIZE)-(IPS SIZE)-(CLASS)-(MATL CODE)

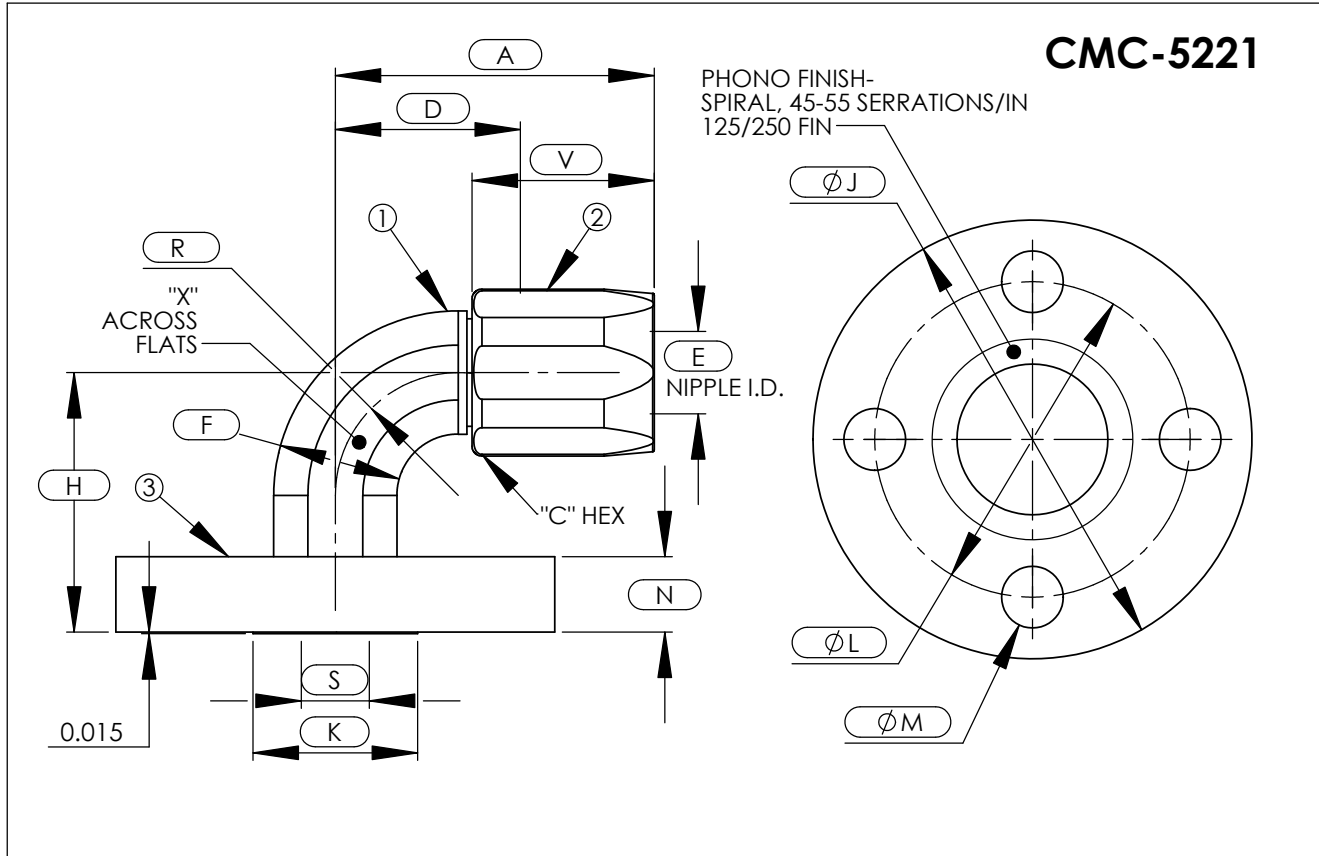
-EXAMPLE-
 CMC-XXX-5210-48-48

SEE PAGE 2 FOR ASSY MATERIAL DESIGNATIONS.

QPL-24787-12 CMC™ Hose End Fittings

90° Elbow

**MIL-F-20042 150 Lb Flange (with 400 Lb Thick Flange)
Per MIL-H-24136/3 Style BII, MIL-F-24787/1, Group VIII, Type FL**



| ASSY PART NUMBER | NPS SIZE | NO. OF BOLTS | A | C | D | E | F | H | J | K | L | M | N | R | S | V | X |
|-----------------------|----------|--------------|------|------|------|------|------|------|------|------|------|-----|-----|------|------|------|------|
| CMC-XXX-5221-1/2-16 | 1/2 | 3 | 2.80 | 1.44 | 1.53 | 0.75 | 1.25 | 2.38 | 3.56 | 1.50 | 2.44 | .56 | .69 | 1.12 | 0.62 | 1.66 | 1.19 |
| CMC-XXX-5221-3/4-16 | 3/4 | 4 | 2.80 | 1.44 | 1.53 | 0.75 | 1.25 | 2.38 | 3.81 | 1.50 | 2.69 | .56 | .69 | 1.12 | 0.82 | 1.66 | 1.19 |
| CMC-XXX-5221-1-16 | 1 | 4 | 2.80 | 1.44 | 1.53 | 0.75 | 1.25 | 2.38 | 4.25 | 1.50 | 3.13 | .56 | .75 | 1.12 | 1.05 | 1.16 | 1.19 |
| CMC-XXX-5221-3/4-20 | 3/4 | 4 | 2.98 | 1.75 | 1.62 | 1.00 | 1.62 | 2.56 | 3.81 | 1.84 | 2.69 | .56 | .69 | 1.22 | 0.82 | 1.75 | 1.44 |
| CMC-XXX-5221-1-24 | 1 | 4 | 3.24 | 1.94 | 1.78 | 1.16 | 1.81 | 2.75 | 4.25 | 2.12 | 3.13 | .56 | .75 | 1.38 | 1.05 | 1.84 | 1.69 |
| CMC-XXX-5221-1 1/4-32 | 1 1/4 | 4 | 3.89 | 2.50 | 2.05 | 1.69 | 2.44 | 3.06 | 4.50 | 2.74 | 3.38 | .56 | .81 | 1.62 | 1.38 | 2.25 | 2.25 |
| CMC-XXX-5221-1 1/2-32 | 1 1/2 | 6 | 3.89 | 2.50 | 2.05 | 1.69 | 2.44 | 3.06 | 5.06 | 2.74 | 3.94 | .56 | .81 | 1.62 | 1.61 | 2.25 | 2.25 |
| CMC-XXX-5221-2-32 | 2 | 6 | 3.89 | 2.50 | 2.05 | 1.69 | 2.44 | 3.06 | 5.56 | 2.74 | 4.44 | .56 | .81 | 1.62 | 1.77 | 2.25 | 2.25 |

B.O.M.

COMPONENT PART NUMBERS

- ① ALL SIZES.....NI-5200-(NPS SIZE)-(HOSE SIZE)-(MATL CODE)
- ② ALL SIZES.....SO-5001-(SIZE)-(MATL CODE)
- ③ ALL SIZES.....FL-(NPS SIZE)-(HOSE SIZE)-(TYPE)-(MATL CODE)

-EXAMPLE-
CMC-XXX-5221-1/2-16

SEE PAGE 2 FOR ASSY MATERIAL DESIGNATIONS.

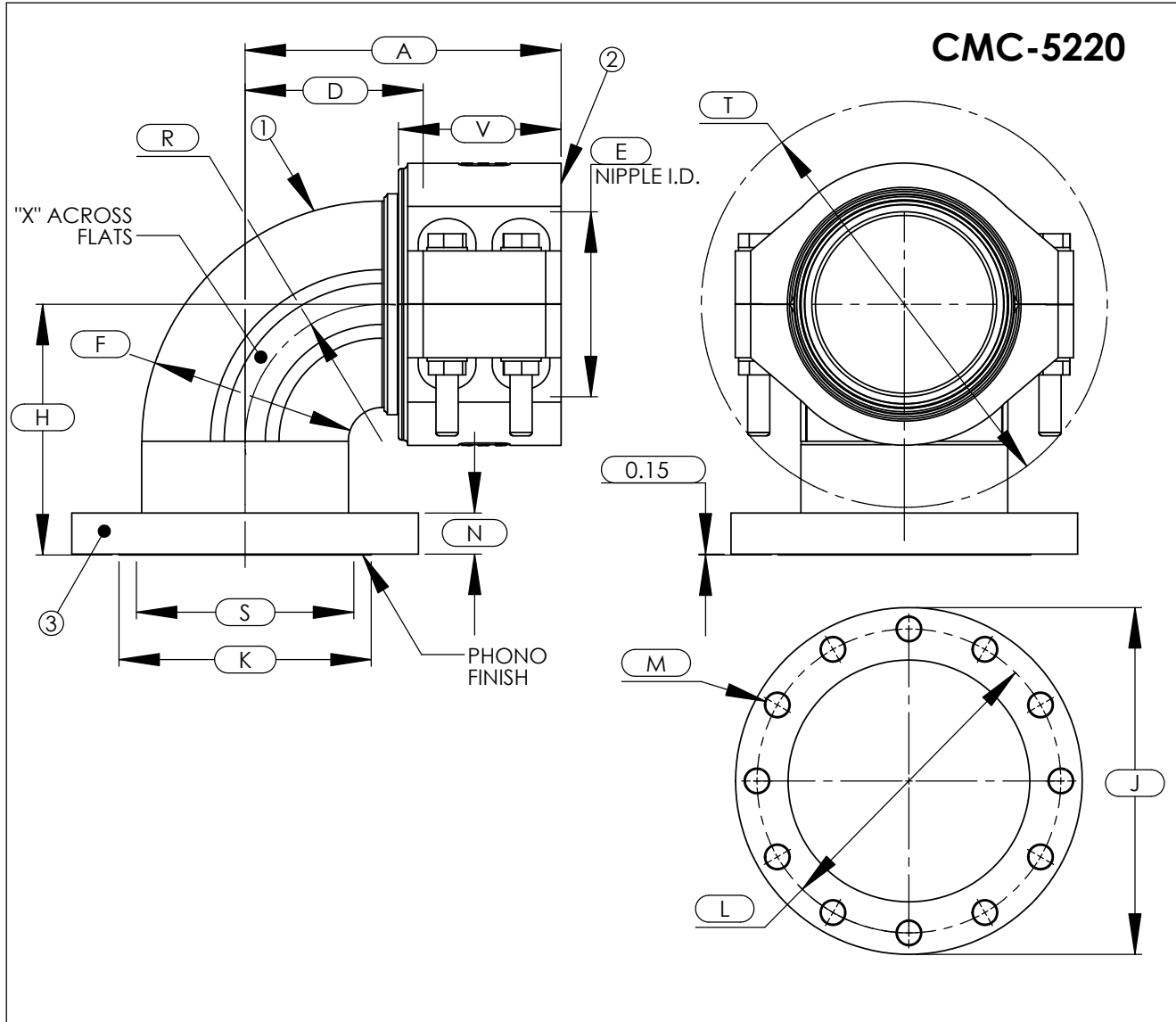


CMC™ Hose End Fittings QPL-24787-12

MIL-F-24787/1, Group IX, Type FL, (Sz 80-96)
 MIL-F-24787/1, Group X, Type FL, (Sz 48-64)

90 Elbow, Class II Flange

CMC-5220



| ASSY PART NUMBER | IPS SIZE | BOLT HOLE QTY | A | D | E | F MAX | H | J | K | L | M | N | R | S | T | V | X |
|--------------------|----------|---------------|------|------|------|-------|------|-------|------|------|------|------|------|------|-------|------|------|
| CMC-XXX-5220-48-48 | 3 | 8 | 5.81 | 3.05 | 2.51 | 3.38 | 4.60 | 6.63 | 4.55 | 5.50 | 0.56 | 0.94 | 2.10 | 3.31 | 7.65 | 3.71 | 3.48 |
| CMC-XXX-5220-64-64 | 4 | 8 | 6.48 | 3.94 | 3.50 | 4.20 | 5.62 | 7.69 | 5.27 | 6.56 | 0.56 | 1.00 | 2.81 | 4.28 | 8.91 | 3.86 | 4.20 |
| CMC-XXX-5220-80-80 | 5 | 10 | 8.70 | 4.59 | 4.40 | 5.15 | 6.82 | 9.06 | 6.35 | 7.81 | 0.69 | 1.06 | 3.50 | 5.32 | 11.42 | 4.81 | 5.15 |
| CMC-XXX-5220-96-96 | 6 | 12 | 9.23 | 5.20 | 5.40 | 6.03 | 7.33 | 10.13 | 7.37 | 8.88 | 0.69 | 1.19 | 4.00 | 6.35 | 11.87 | 4.81 | 6.03 |

B.O.M.

COMPONENT PART NUMBERS

- ① ALL SIZES-..... NI-5200-(SIZE)-(MATL CODE)
- ② ALL SIZES-..... HC-(SIZE)-(MATL CODE)
- ③ ALL SIZES-..... FL-(HOSE SIZE)-(IPS SIZE)-(CLASS)-(MATL CODE)

-EXAMPLE-
 CMC-XXX-5220-48-48

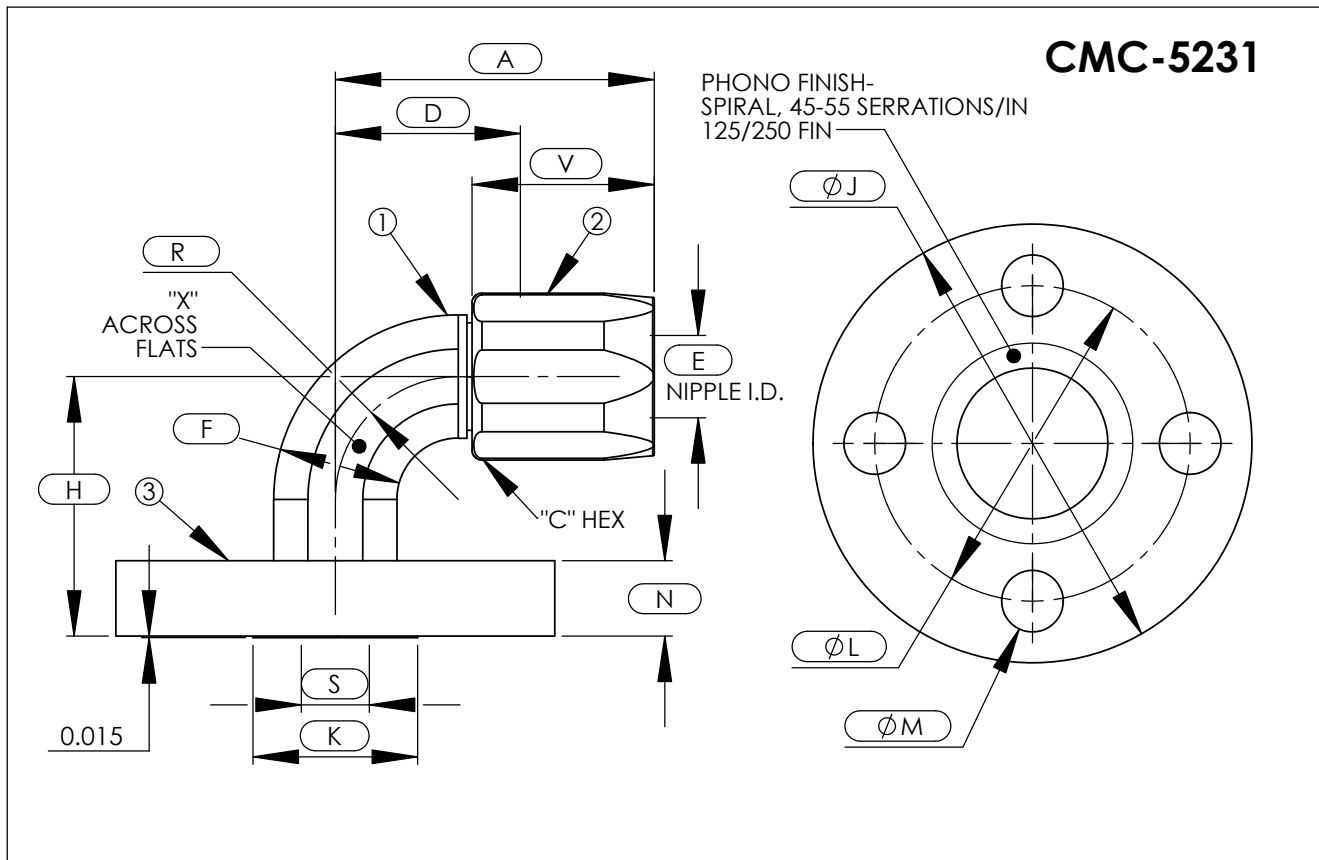
SEE PAGE 2 FOR ASSY MATERIAL DESIGNATIONS.

QPL-24787-12 CMC™ Hose End Fittings

MIL-F-20042 250 Lb Flange

90° Elbow

Per MIL-H-24136/3 Style BIII, MIL-F-24787/1, Group VIII, Type FL



| ASSY PART NUMBER | NPS SIZE | NO. OF BOLTS | A | C | D | E | F | H | J | K | L | M | N | R | S | V | X |
|-----------------------|----------|--------------|------|------|------|------|------|------|------|------|------|-----|-----|------|------|------|------|
| CMC-XXX-5231-1/2-16 | 1/2 | 3 | 2.80 | 1.44 | 1.53 | 0.75 | 1.25 | 2.38 | 3.56 | 1.50 | 2.44 | .56 | .69 | 1.12 | 0.62 | 1.66 | 1.19 |
| CMC-XXX-5231-3/4-16 | 3/4 | 4 | 2.80 | 1.44 | 1.53 | 0.75 | 1.25 | 2.38 | 3.81 | 1.50 | 2.69 | .56 | .69 | 1.12 | 0.82 | 1.66 | 1.19 |
| CMC-XXX-5231-1-16 | 1 | 4 | 2.80 | 1.44 | 1.53 | 0.75 | 1.25 | 2.38 | 4.25 | 1.50 | 3.13 | .56 | .75 | 1.12 | 1.05 | 1.66 | 1.19 |
| CMC-XXX-5231-3/4-20 | 3/4 | 4 | 2.98 | 1.75 | 1.62 | 1.00 | 1.62 | 2.56 | 3.81 | 1.84 | 2.69 | .56 | .69 | 1.22 | 0.82 | 1.75 | 1.44 |
| CMC-XXX-5231-1-24 | 1 | 4 | 3.24 | 1.94 | 1.78 | 1.16 | 1.81 | 2.75 | 4.25 | 2.12 | 3.13 | .56 | .75 | 1.38 | 1.05 | 1.84 | 1.69 |
| CMC-XXX-5231-1 1/4-32 | 1 1/4 | 4 | 3.89 | 2.50 | 2.05 | 1.69 | 2.44 | 3.06 | 4.50 | 2.74 | 3.38 | .56 | .81 | 1.62 | 1.38 | 2.25 | 2.25 |
| CMC-XXX-5231-1 1/2-32 | 1 1/2 | 6 | 3.89 | 2.50 | 2.05 | 1.69 | 2.44 | 3.06 | 5.06 | 2.74 | 3.94 | .56 | .81 | 1.62 | 1.61 | 2.25 | 2.25 |
| CMC-XXX-5231-2-32 | 2 | 6 | 3.89 | 2.50 | 2.05 | 1.69 | 2.44 | 3.06 | 5.56 | 2.74 | 4.44 | .69 | .81 | 1.62 | 1.77 | 2.25 | 2.25 |

B.O.M.

COMPONENT PART NUMBERS

- ① ALL SIZES..... NI-5200-(NPS SIZE)-(HOSE SIZE)-(MATL CODE)
- ② ALL SIZES..... SO-5001-(SIZE)-(MATL CODE)
- ③ ALL SIZES..... FL-(NPS SIZE)-(HOSE SIZE)-(TYPE)-(MATL CODE)

-EXAMPLE-
CMC-XXX-5231-1/2-16

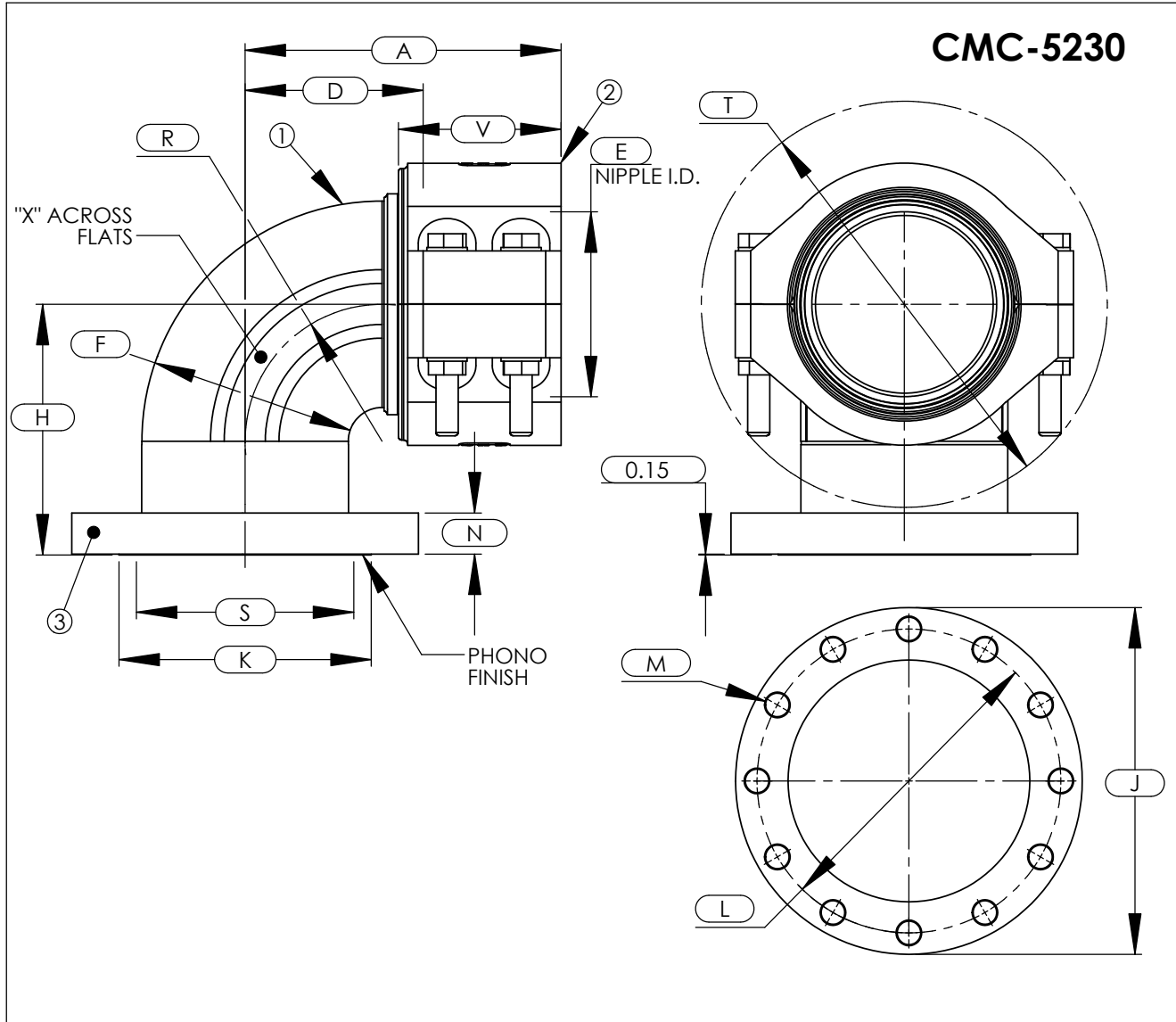
SEE PAGE 2 FOR ASSY MATERIAL DESIGNATIONS.



CMC™ Hose End Fittings QPL-24787-12

90 Elbow, Class III Flange

MIL-F-24787/1, Group IX, Type FL, (Sz 80-96)
 MIL-F-24787/1, Group, X, Type FL, (Sz 48-64)



| ASSY PART NUMBER | IPS SIZE | BOLT HOLE QTY | A | D | E | F MAX | H | J | K | L | M | N | R | S | T | V | X |
|--------------------|----------|---------------|------|------|------|-------|------|-------|------|------|------|------|------|------|-------|------|------|
| CMC-XXX-5230-48-48 | 3 | 8 | 5.81 | 3.05 | 2.51 | 3.38 | 4.60 | 6.63 | 4.55 | 5.50 | 0.69 | 0.94 | 2.10 | 3.31 | 7.65 | 3.71 | 3.48 |
| CMC-XXX-5230-64-64 | 4 | 8 | 6.48 | 3.94 | 3.50 | 4.20 | 5.62 | 7.69 | 5.27 | 6.56 | 0.69 | 1.00 | 2.81 | 4.28 | 8.91 | 3.86 | 4.20 |
| CMC-XXX-5230-80-80 | 5 | 10 | 8.70 | 4.59 | 4.40 | 5.15 | 6.82 | 9.06 | 6.35 | 7.81 | 0.69 | 1.06 | 3.50 | 5.32 | 11.42 | 4.81 | 5.15 |
| CMC-XXX-5230-96-96 | 6 | 12 | 9.23 | 5.20 | 5.40 | 6.03 | 7.33 | 10.13 | 7.37 | 8.88 | 0.69 | 1.19 | 4.00 | 6.35 | 11.87 | 4.81 | 6.03 |

B.O.M.

COMPONENT PART NUMBERS

- ① ALL SIZES-.....NI-5200-(SIZE)-(MATL CODE)
- ② ALL SIZES-.....HC-(SIZE)-(MATL CODE)
- ③ ALL SIZES-.....FL-(HOSE SIZE)-(IPS SIZE)-(CLASS)-(MATL CODE)

-EXAMPLE-

CMC-XXX-5230-48-48

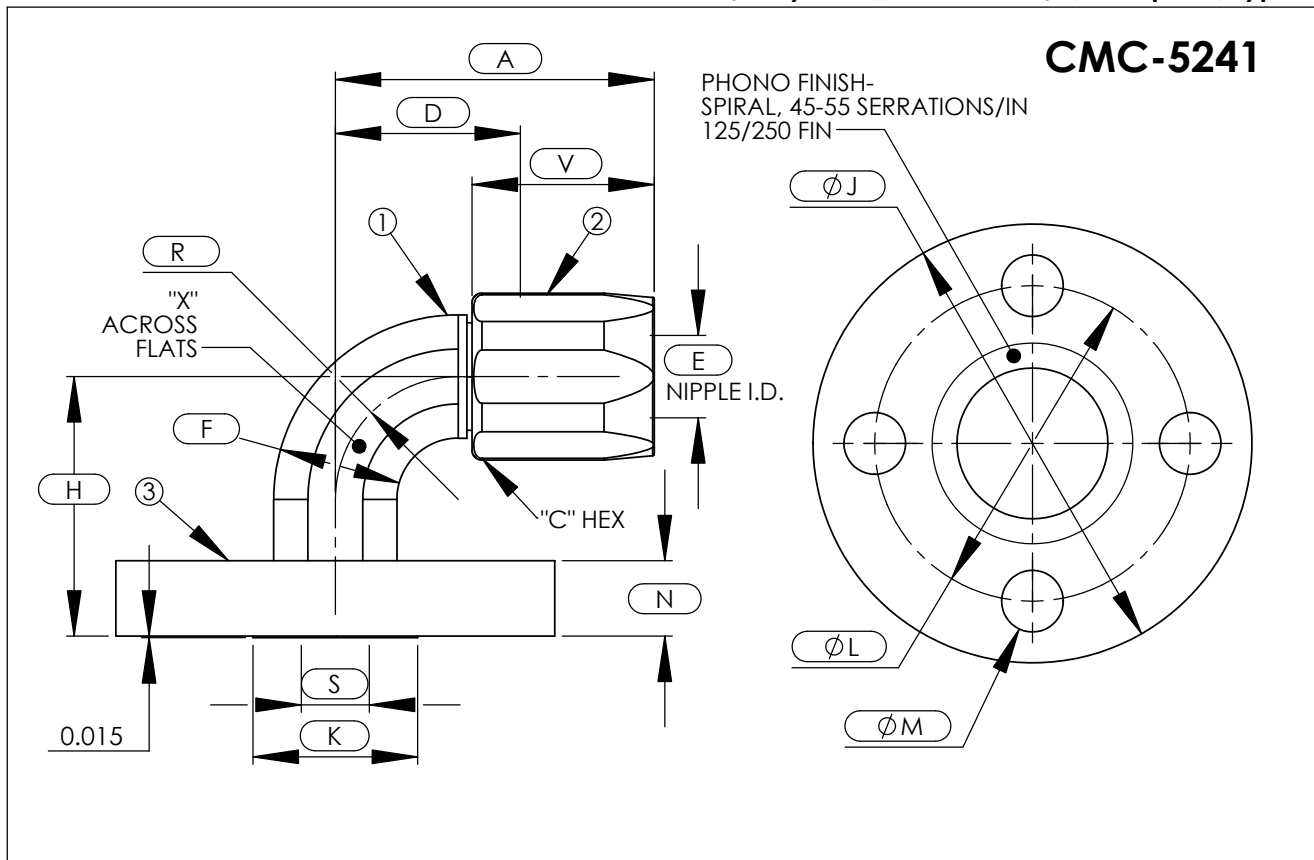
SEE PAGE 2 FOR ASSY MATERIAL DESIGNATIONS.

QPL-24787-12 CMC™ Hose End Fittings

MIL-F-20042 150 Lb Flange

90° Elbow

Per MIL-H-24136/3 Style BIV, MIL-F-24787/1, Group VIII, Type FL



| ASSY PART NUMBER | NPS SIZE | NO. OF BOLTS | A | C | D | E | F | H | J | K | L | M | N | R | S | V | X |
|-----------------------|----------|--------------|------|------|------|------|------|------|------|------|------|-----|-----|------|------|------|------|
| CMC-XXX-5241-1/2-16 | 1/2 | 3 | 2.80 | 1.44 | 1.53 | 0.75 | 1.25 | 2.38 | 3.56 | 1.50 | 2.44 | .56 | .38 | 1.12 | 0.62 | 1.66 | 1.19 |
| CMC-XXX-5241-3/4-16 | 3/4 | 4 | 2.80 | 1.44 | 1.53 | 0.75 | 1.25 | 2.38 | 3.81 | 1.50 | 2.69 | .56 | .44 | 1.12 | 0.82 | 1.66 | 1.19 |
| CMC-XXX-5241-1-16 | 1 | 4 | 2.80 | 1.44 | 1.53 | 0.75 | 1.25 | 2.38 | 4.25 | 1.50 | 3.13 | .56 | .44 | 1.12 | 1.05 | 1.16 | 1.19 |
| CMC-XXX-5241-3/4-20 | 3/4 | 4 | 2.98 | 1.75 | 1.62 | 1.00 | 1.62 | 2.56 | 3.81 | 1.84 | 2.69 | .56 | .44 | 1.22 | 0.82 | 1.75 | 1.44 |
| CMC-XXX-5241-1-24 | 1 | 4 | 3.24 | 1.94 | 1.78 | 1.16 | 1.81 | 2.75 | 4.25 | 2.12 | 3.13 | .56 | .44 | 1.38 | 1.05 | 1.84 | 1.69 |
| CMC-XXX-5241-1 1/4-32 | 1 1/4 | 4 | 3.89 | 2.50 | 2.05 | 1.69 | 2.44 | 3.06 | 4.50 | 2.74 | 3.38 | .56 | .44 | 1.62 | 1.38 | 2.25 | 2.25 |
| CMC-XXX-5241-1 1/2-32 | 1 1/2 | 6 | 3.89 | 2.50 | 2.05 | 1.69 | 2.44 | 3.06 | 5.06 | 2.74 | 3.94 | .56 | .44 | 1.62 | 1.61 | 2.25 | 2.25 |
| CMC-XXX-5241-2-32 | 2 | 6 | 3.89 | 2.50 | 2.05 | 1.69 | 2.44 | 3.06 | 5.56 | 2.74 | 4.44 | .56 | .44 | 1.62 | 1.77 | 2.25 | 2.25 |

B.O.M.

COMPONENT PART NUMBERS

- ① ALL SIZES.....NI-5200-(NPS SIZE)-(HOSE SIZE)-(MATL CODE)
- ② ALL SIZES.....SO-5001-(SIZE)-(MATL CODE)
- ③ ALL SIZES.....FL-(NPS SIZE)-(HOSE SIZE)-(TYPE)-(MATL CODE)

-EXAMPLE-
CMC-XXX-5241-1/2-16

SEE PAGE 2 FOR ASSY MATERIAL DESIGNATIONS.

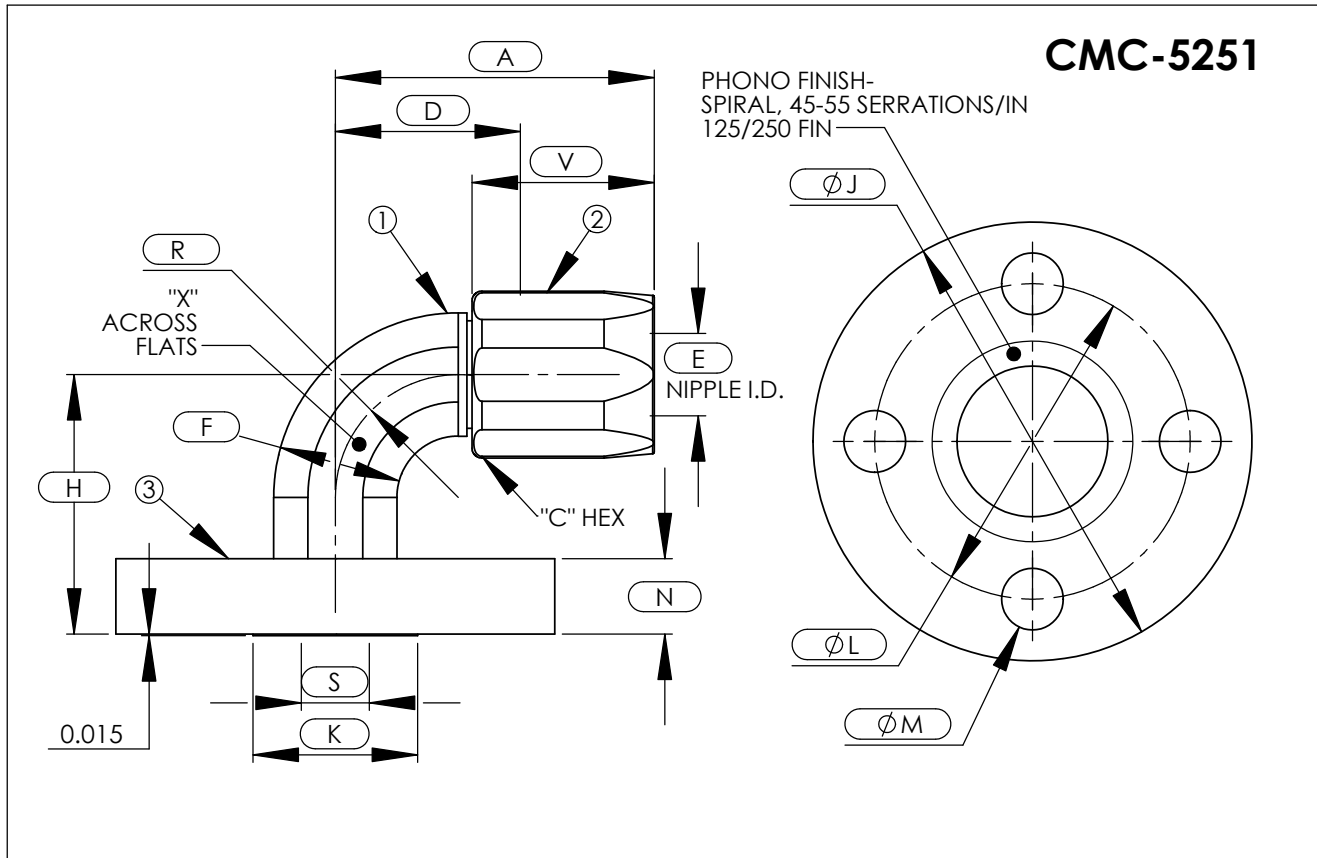


QPL-24787-12 CMC™ Hose End Fittings

ANSI B16.5 150 Lb Flange

90° Elbow

Per MIL-H-24136/3 Style BV, MIL-F-24787/1, Group VIII, Type FL



| ASSY PART NUMBER | NPS SIZE | NO. OF BOLTS | A | C | D | E | F | H | J | K | L | M | N | R | S | V | X |
|-----------------------|----------|--------------|------|------|------|------|------|------|------|------|------|-----|-----|------|------|------|------|
| CMC-XXX-5251-1/2-16 | 1/2 | 4 | 2.80 | 1.44 | 1.53 | 0.75 | 1.25 | 2.38 | 3.50 | 1.50 | 2.38 | .62 | .36 | 1.12 | 0.62 | 1.66 | 1.19 |
| CMC-XXX-5251-3/4-16 | 3/4 | 4 | 2.80 | 1.44 | 1.53 | 0.75 | 1.25 | 2.38 | 3.88 | 1.50 | 2.75 | .62 | .42 | 1.12 | 0.82 | 1.66 | 1.19 |
| CMC-XXX-5251-1-16 | 1 | 4 | 2.80 | 1.44 | 1.53 | 0.75 | 1.25 | 2.38 | 4.25 | 1.50 | 3.13 | .62 | .42 | 1.12 | 1.05 | 1.66 | 1.19 |
| CMC-XXX-5251-3/4-20 | 3/4 | 4 | 2.98 | 1.75 | 1.62 | 1.00 | 1.62 | 2.56 | 3.88 | 1.84 | 2.75 | .62 | .42 | 1.22 | 0.82 | 1.75 | 1.44 |
| CMC-XXX-5251-1-24 | 1 | 4 | 3.24 | 1.94 | 1.78 | 1.16 | 1.81 | 2.75 | 4.25 | 2.12 | 3.13 | .62 | .42 | 1.38 | 1.05 | 1.84 | 1.69 |
| CMC-XXX-5251-1 1/4-32 | 1 1/4 | 4 | 3.89 | 2.50 | 2.05 | 1.69 | 2.44 | 3.06 | 4.62 | 2.74 | 3.50 | .62 | .42 | 1.62 | 1.38 | 2.25 | 2.25 |
| CMC-XXX-5251-1 1/2-32 | 1 1/2 | 4 | 3.89 | 2.50 | 2.05 | 1.69 | 2.44 | 3.06 | 5.00 | 2.74 | 3.88 | .62 | .42 | 1.62 | 1.61 | 2.25 | 2.25 |
| CMC-XXX-5251-2-32 | 2 | 4 | 3.89 | 2.50 | 2.05 | 1.69 | 2.44 | 3.06 | 6.00 | 2.74 | 4.75 | .75 | .42 | 1.62 | 1.77 | 2.25 | 2.25 |

B.O.M.

COMPONENT PART NUMBERS

- ① ALL SIZES.....NI-5200-(NPS SIZE)-(HOSE SIZE)-(MATL CODE)
- ② ALL SIZES.....SO-5001-(SIZE)-(MATL CODE)
- ③ ALL SIZES.....FL-(NPS SIZE)-(HOSE SIZE)-(TYPE)-(MATL CODE)

-EXAMPLE-

CMC-XXX-5251-1/2-16

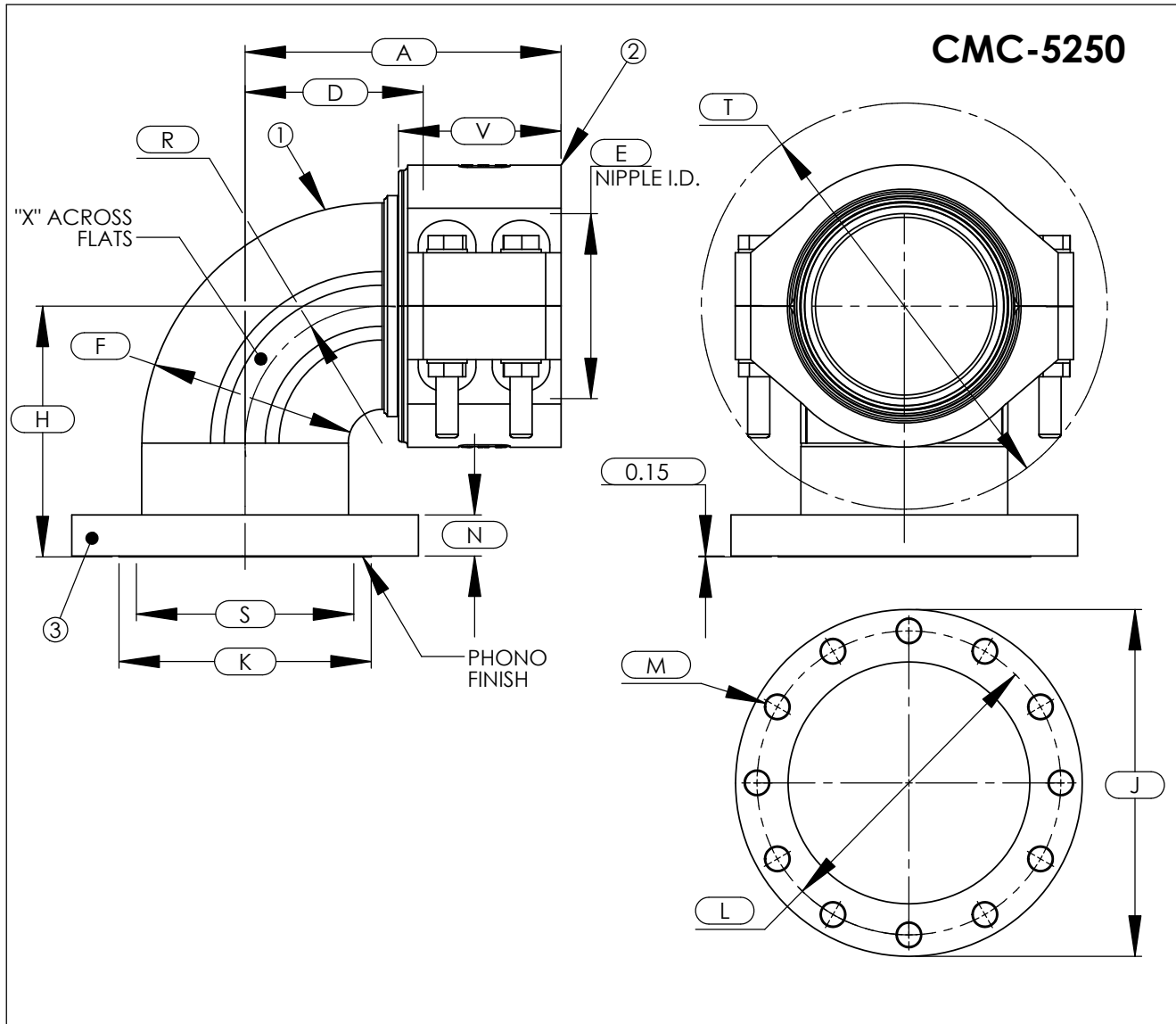
SEE PAGE 2 FOR ASSY MATERIAL DESIGNATIONS.



CMC™ Hose End Fittings QPL-24787-12

MIL-F-24787/1, Group IX, Type FL, (Sz 80-96)
 MIL-F-24787/1, Group X, Type FL, (Sz 48-64)

90 Elbow, Class V Flange



| ASSY PART NUMBER | IPS SIZE | BOLT HOLE QTY | A | D | E | F MAX | H | J | K | L | M | N | R | S | T | V | X |
|--------------------|----------|---------------|------|------|------|-------|------|-------|------|------|------|------|------|------|-------|------|------|
| CMC-XXX-5250-48-48 | 3 | 4 | 5.81 | 3.05 | 2.51 | 3.38 | 4.60 | 7.50 | 4.55 | 5.50 | 0.75 | 0.48 | 2.10 | 3.31 | 7.65 | 3.71 | 3.48 |
| CMC-XXX-5250-64-64 | 4 | 8 | 6.48 | 3.94 | 3.50 | 4.20 | 5.62 | 9.00 | 5.27 | 6.56 | 0.75 | 0.48 | 2.81 | 4.28 | 8.91 | 3.86 | 4.20 |
| CMC-XXX-5250-80-80 | 5 | 8 | 8.70 | 4.59 | 4.40 | 5.15 | 6.82 | 10.00 | 6.35 | 7.81 | 0.88 | 1.05 | 3.50 | 5.32 | 11.42 | 4.81 | 5.15 |
| CMC-XXX-5250-96-96 | 6 | 8 | 9.23 | 5.20 | 5.40 | 6.03 | 7.33 | 11.00 | 7.37 | 8.88 | 0.88 | 1.17 | 4.00 | 6.35 | 11.87 | 4.81 | 6.03 |

B.O.M.

COMPONENT PART NUMBERS

- ① ALL SIZES-..... NI-5200-(SIZE)-(MATL CODE)
- ② ALL SIZES-..... HC-(SIZE)-(MATL CODE)
- ③ ALL SIZES-..... FL-(HOSE SIZE)-(IPS SIZE)-(CLASS)-(MATL CODE)

-EXAMPLE-

CMC-XXX-5250-48-48

SEE PAGE 2 FOR ASSY MATERIAL DESIGNATIONS.