

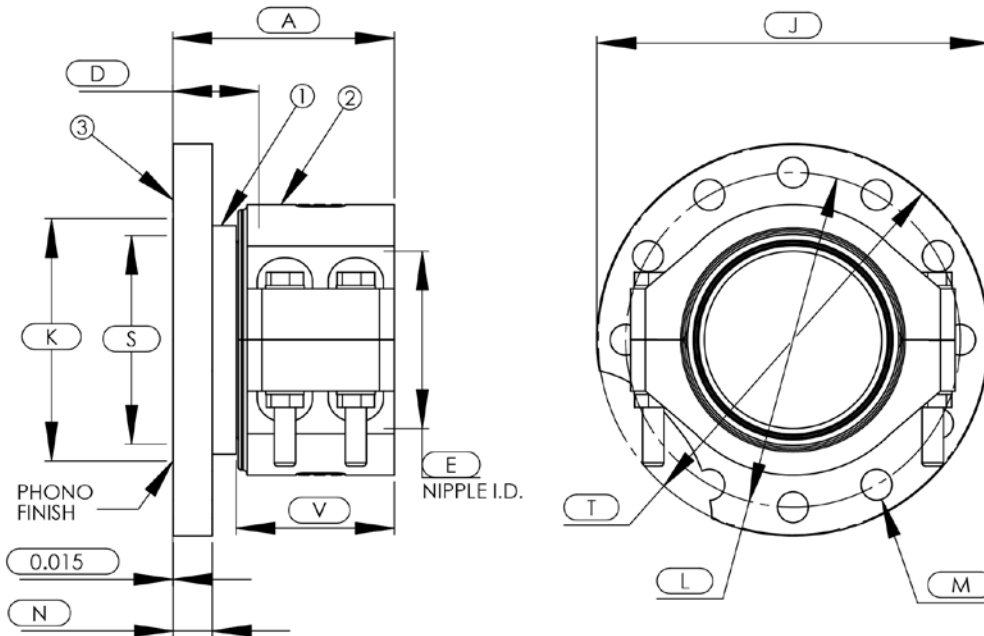
# CMC® Hose End Fittings

# Straight Nipple

MIL-F-24787/1 Group X, Type F (Sz 40-64)  
 MIL-F-24787/1 Group IX, Type F (Sz 80-96)  
 Class I Flange

QPL-24787-12

## CMC-5110



ASSY PART NUMBER	IPS SIZE	BOLT HOLE QTY	A	D	E	J	K	L	M	N	S	T	V
CMC-X-5110-40-40	2-1/2	8	4.58	1.95	2.05	7.56	3.27	6.00	0.81	0.94	2.71	7.65	2.95
CMC-X-5110-48-48	3	8	5.01	1.95	2.51	8.13	4.50	6.56	0.81	0.94	3.31	7.65	3.50
CMC-X-5110-64-64	4	9	5.46	2.36	3.50	9.25	5.22	7.69	0.81	1.00	4.25	8.91	3.53
CMC-X-5110-80-80	5	11	6.74	2.62	4.40	10.38	6.37	8.81	0.81	1.06	5.31	11.42	4.75
CMC-X-5110-96-96	6	12	6.74	2.62	5.40	11.94	7.38	10.19	0.94	1.19	6.35	11.87	4.70

B.O.M.

COMPONENT PART NUMBERS

- ① ALL SIZES-.....NI-5100-(SIZE)-(MATL CODE)
- ② ALL SIZES-.....HC-(SIZE)-(MATL CODE)
- ③ ALL SIZES-.....FL-(HOSE SIZE)-(IPS SIZE)-(CLASS)-(MATL CODE)

-EXAMPLE-

CMC-X-5110-40-40

SEE PAGE 2 FOR ASSY MATERIAL DESIGNATIONS