

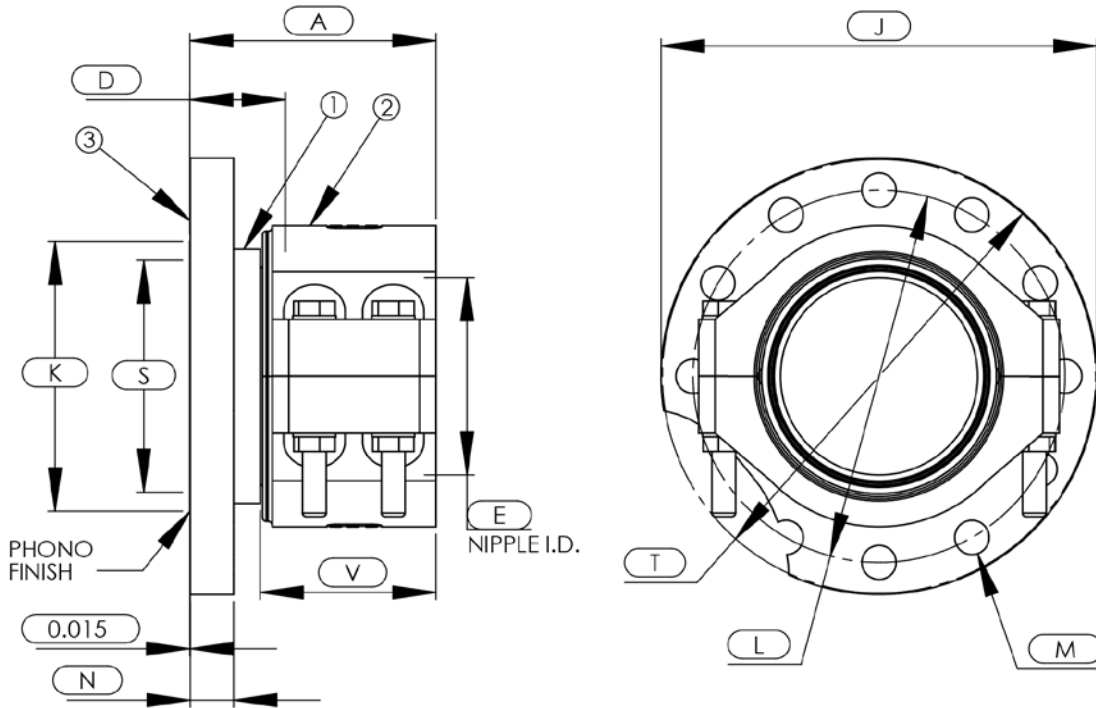
# CMC® Hose End Fittings

# Straight Nipple

MIL-F-24787/1 Group X, Type F (Sz 40-64)  
 MIL-F-24787/1 Group IX, Type F (Sz 80-96)  
 Class IV Flange

QPL-24787-12

## CMC-5140



PART NUMBER	IPS SIZE	BOLT HOLE QTY	A	D	E	J	K	L	M	N	S	T	V
CMC-X-5140-40-40	2-1/2	6	4.58	1.95	2.05	6.13	3.27	5.00	0.56	0.50	2.71	7.65	2.95
CMC-X-5140-48-48	3	8	5.01	1.95	2.51	6.63	4.50	5.50	0.56	0.50	3.31	7.65	3.50
CMC-X-5140-64-64	4	8	5.46	2.36	3.50	7.69	5.22	6.56	0.56	0.50	4.25	8.91	3.53
CMC-X-5140-80-80	5	10	6.74	2.62	4.40	9.06	6.37	7.81	0.69	0.56	5.31	11.42	4.75
CMC-X-5140-96-96	6	12	6.74	2.62	5.40	10.13	7.38	8.88	0.69	0.56	6.35	11.87	4.70

B.O.M.

COMPONENT PART NUMBERS

- ① ALL SIZES-.....NI-5100-(SIZE)-(MATL CODE)
- ② ALL SIZES-.....HC-(SIZE)-(MATL CODE)
- ③ ALL SIZES-.....FL-(HOSE SIZE)-(IPS SIZE)-(CLASS)-(MATL CODE)

-EXAMPLE-

CMC-X-5140-40-40

SEE PAGE 2 FOR ASSY MATERIAL DESIGNATIONS