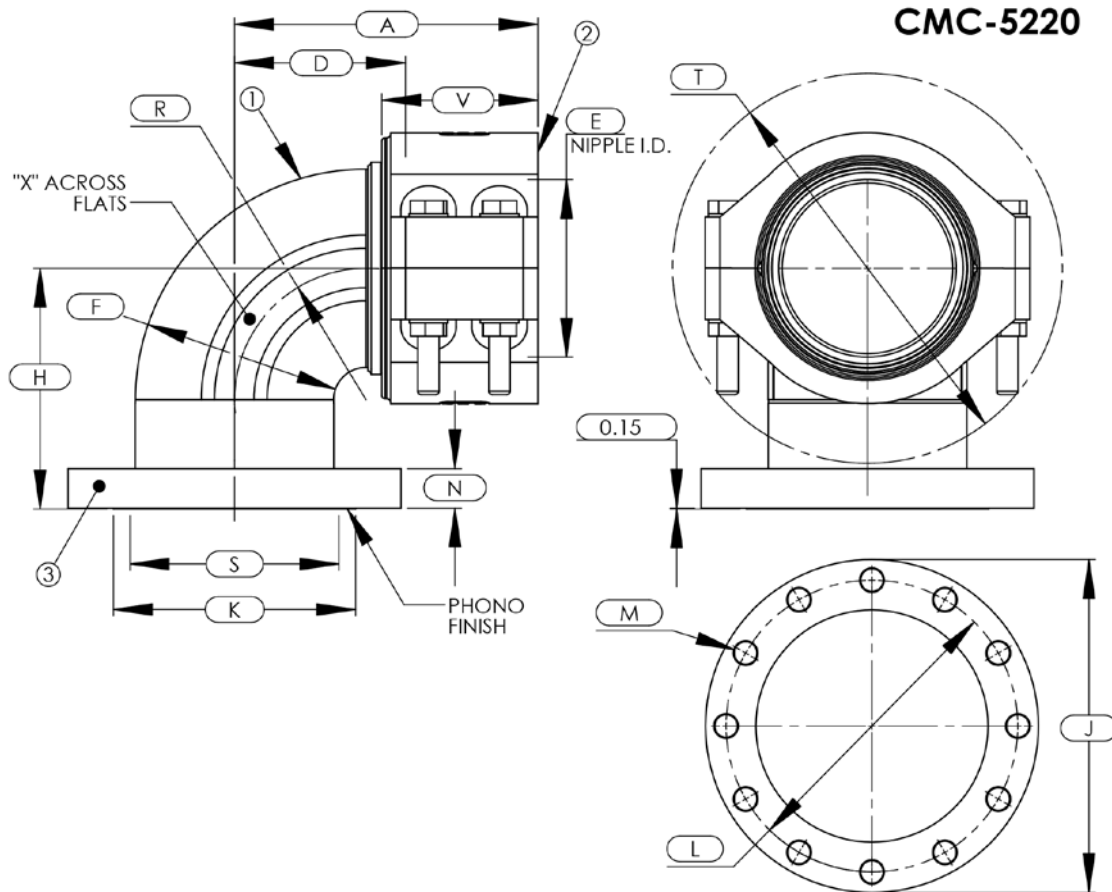


# CMC® Hose End Fittings

90° Elbow

MIL-F-24787/1 Group X, Type FL (Sz 48-64)  
 MIL-F-24787/1 Group IX, Type FL (Sz 80-96)  
 Class II Flange

QPL-24787-12



ASSY PART NUMBER	IPS SIZE	BOLT HOLE QTY	A	D	E	F MAX	H	J	K	L	M	N	R	S	T	V	X
CMC-X-5220-48-48	3	8	5.81	3.05	2.51	3.38	4.60	6.63	4.55	5.50	0.56	0.94	2.10	3.31	7.65	3.50	3.48
CMC-X-5220-64-64	4	8	6.48	3.94	3.50	4.20	5.62	7.69	5.27	6.56	0.56	1.00	2.81	4.28	8.91	4.53	4.20
CMC-X-5220-80-80	5	10	8.70	4.59	4.40	5.15	6.82	9.06	6.35	7.81	0.69	1.06	3.50	5.32	11.42	4.75	5.15
CMC-X-5220-96-96	6	12	9.23	5.20	5.40	6.03	7.33	10.13	7.37	8.88	0.69	1.19	4.00	6.35	11.87	4.70	6.03

B.O.M.

COMPONENT PART NUMBERS

- ① ALL SIZES-.....NI-5200-(SIZE)-(MATL CODE)
- ② ALL SIZES-.....HC-(SIZE)-(MATL CODE)
- ③ ALL SIZES-.....FL-(HOSE SIZE)-(IPS SIZE)-(CLASS)-(MATL CODE)

-EXAMPLE-

CMC-X-5220-48-48

└─ SEE PAGE 2 FOR ASSY MATERIAL DESIGNATIONS