

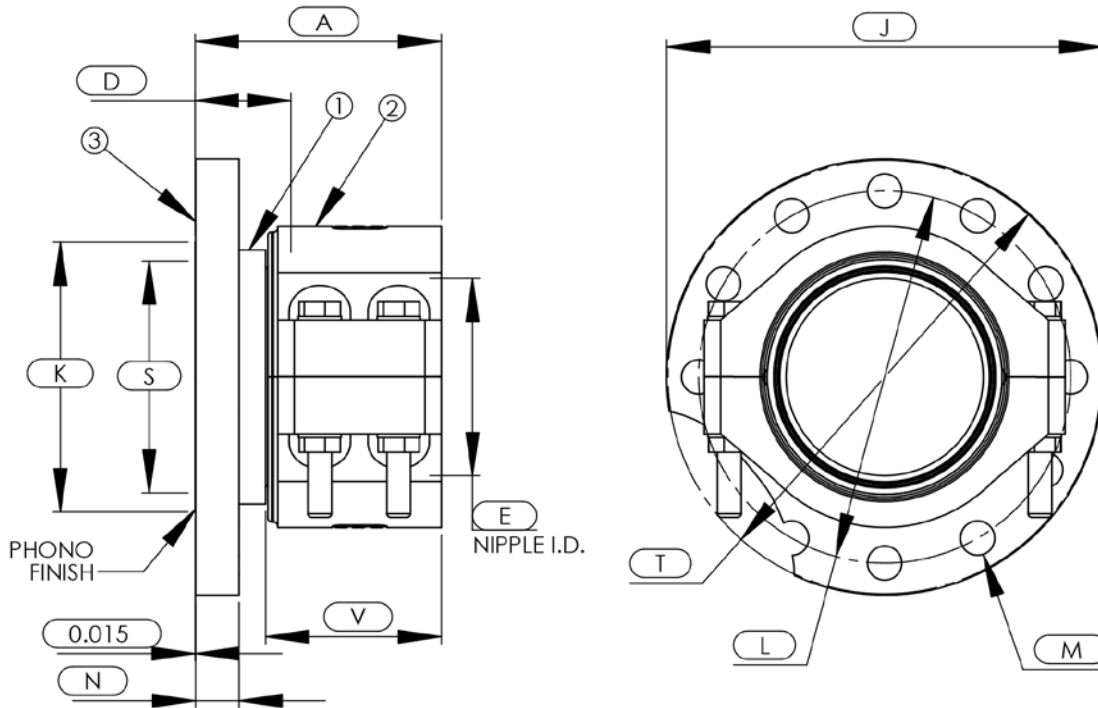
CMC® Hose End Fittings

Straight Nipple

MIL-F-24787/1 Group X, Type F (Sz 40-64)
 MIL-F-24787/1 Group IX, Type F (Sz 80-96)
 Class V Flange

QPL-24787-12

CMC-5150



ASSY PART NUMBER	IPS SIZE	BOLT HOLE QTY	A	D	E	J	K	L	M	N	S	T	V
CMC-X-5150-40-40	2-1/2	6	4.58	1.95	2.05	7.00	3.27	5.50	0.75	0.48	2.71	7.65	2.95
CMC-X-5150-48-48	3	8	5.01	1.95	2.51	7.50	4.50	6.00	0.75	0.48	3.31	7.65	3.50
CMC-X-5150-64-64	4	8	5.46	2.36	3.50	9.00	5.22	7.50	0.75	0.48	4.25	8.91	3.53
CMC-X-5150-80-80	5	8	6.74	2.62	4.40	10.00	6.37	8.50	0.88	1.05	5.31	11.42	4.75
CMC-X-5150-96-96	6	8	6.74	2.62	5.40	11.00	7.38	9.50	0.88	1.17	6.35	11.87	4.70

B.O.M.

COMPONENT PART NUMBERS

- ① ALL SIZES-.....NI-5100-(SIZE)-(MATL CODE)
- ② ALL SIZES-.....HC-(SIZE)-(MATL CODE)
- ③ ALL SIZES-.....FL-(HOSE SIZE)-(IPS SIZE)-(CLASS)-(MATL CODE)

-EXAMPLE-

CMC-X-5150-40-40

SEE PAGE 2 FOR ASSY MATERIAL DESIGNATIONS